

PORTION PLUS™ DISPENSER



Creating innovative equipment to improve your food service operation.

Accurate Portion Control for Irregular-Shaped Particulate

Portion Plus™ now offers food service operators an affordable option for accurate portion control dispensing and is designed to dispense a variety of irregular-shaped food items.

Portion Plus™ saves time, labor and greatly enhances cost control through accurate measurements - no more guess work in portioning or waste due to spillage.

Portion Plus™ works great for “back of the house” items as well as “front of the house” self-serve items.



4 Bank Portion Plus™

Dispenser Benefits:

- Accurate Portion Control
- Dispenses Irregular-Shaped Food
- Efficient Dispensing Method
- Reduces Overall Particulate Cost
- Eliminate Particulate Waste



Automated Equipment LLC
5140 Moundview Drive
Red Wing, MN 55066 USA
800-309-1053 US/Canada Sales
651-385-2270 International Sales
651-385-2166 Fax
www.autoequipllc.com

FEATURES, BENEFITS & SPECIFICATIONS

System Features and Benefits:

- Accurate portion control reduces overall particulate cost and delivers more consistent product quality.
- Portion Plus™ mounts to the wall and can be positioned over a countertop.
- The Portion Plus™ hopper is translucent and holds 1.4 gallons / 5.3 liters of food product per hopper.
- The unique design of the slider controls the portions and easily keeps up with high volume locations.
Red Slider – dispenses 1.0 oz.
White Slider – dispenses 1.5 oz.
Blue Slider – dispenses 2.0 oz.
- Dispense directly into cup to reduce contamination and eliminate spills, waste and countertop messiness.
- Perfect for dessert and salad bar toppings and snack food items:
 - Candy Sprinkles
 - Crushed Cookies
 - Crushed Candies
 - Party Mix
 - Bacon Bits
 - Croutons
 - Cereals
 - Nuts
 - Peanuts
 - Coffee Beans
 - Pasta/Macaroni
 - Rice
 - And More



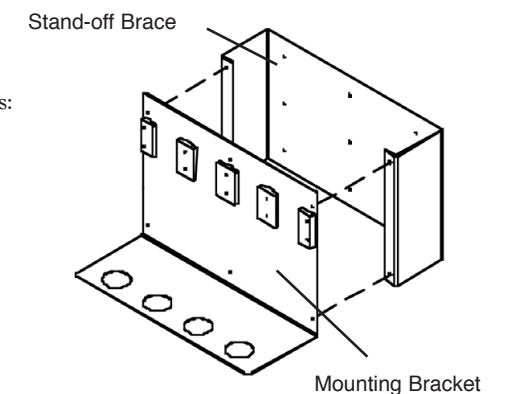
Easy to use. Easy to fill. Easy to clean.

Dimensions:

(Hopper & Mounting Bracket)
Height: 19 inches / 48.26 cm
Depth: 14.5 inches / 36.83 cm
Length: 22.5 inches / 57.15 cm (4 Bank)
35.5 inches / 85.09 cm (6 Bank)

Specifications:

Portion Plus™ mounts to the wall. The Stand-off Brace is available in two sizes:
4 inches / 10.16 cm
9 inches / 22.86 cm
This permits easy and comfortable access when mounted over a countertop.



Holding Capacity:

1.4 gallons / 5.3 liters per hopper



Slider Controls



6 Bank Portion Plus™



Automated Equipment LLC
5140 Moundview Drive
Red Wing, MN 55066 USA
800-309-1053 US/Canada Sales
651-385-2270 International Sales
651-385-2166 Fax
www.autoequipllc.com